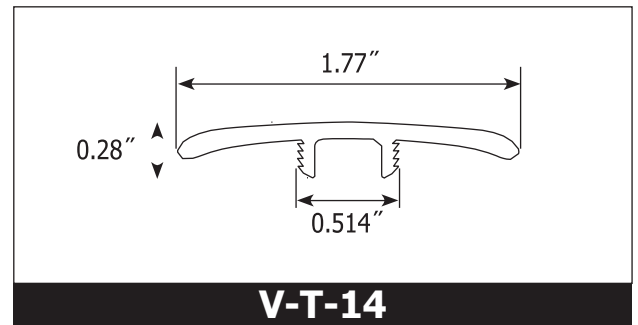


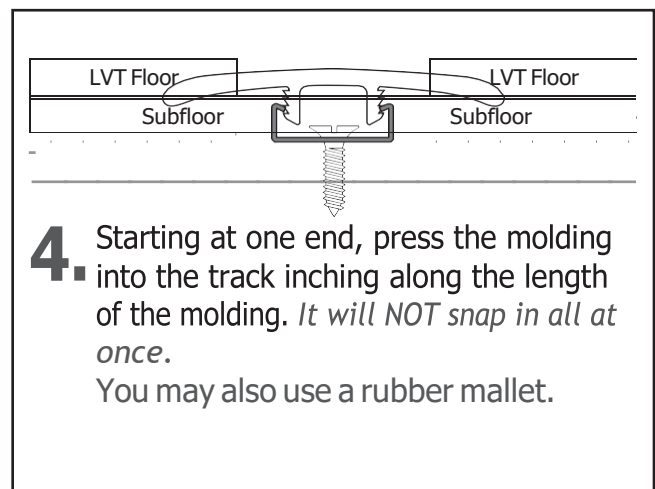
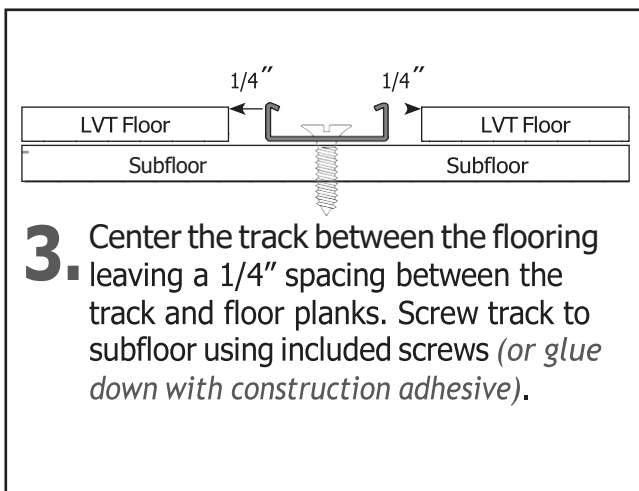
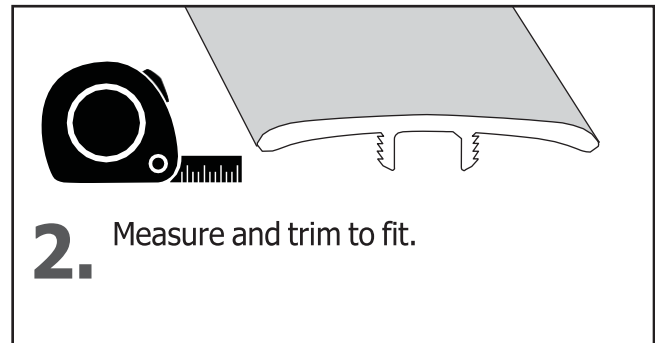
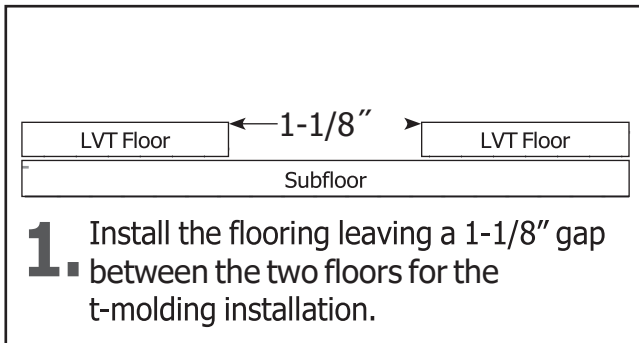
### Profile Specs

T-Moldings are used to fill the gap between floors of equal height.



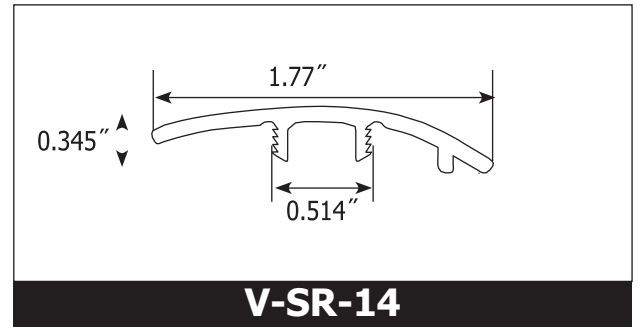
**Surface:** Wear resistant | **Core Material:** Rigid PVC

### Installation Guide



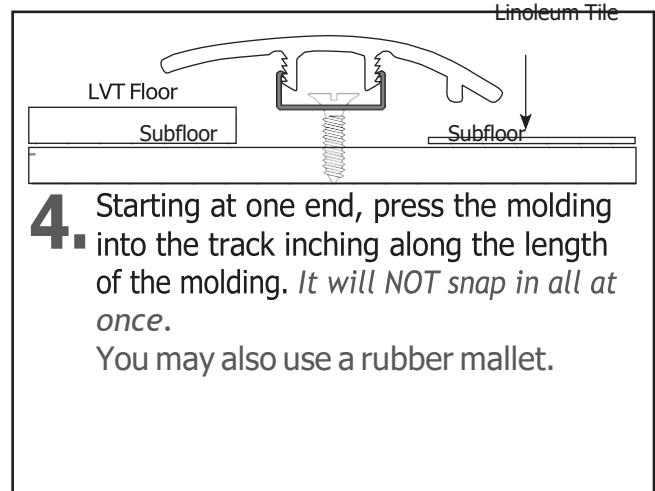
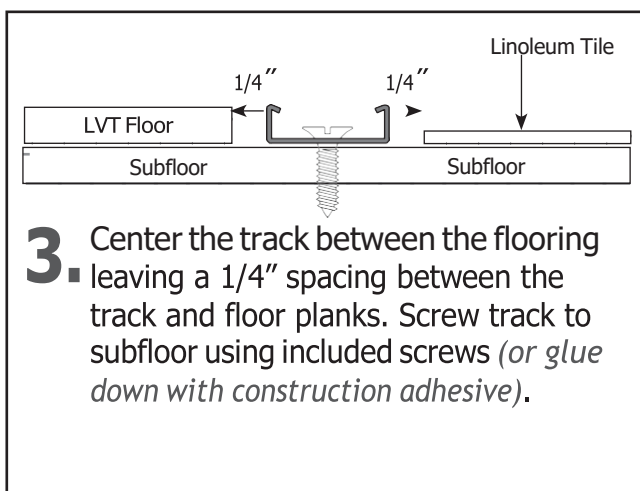
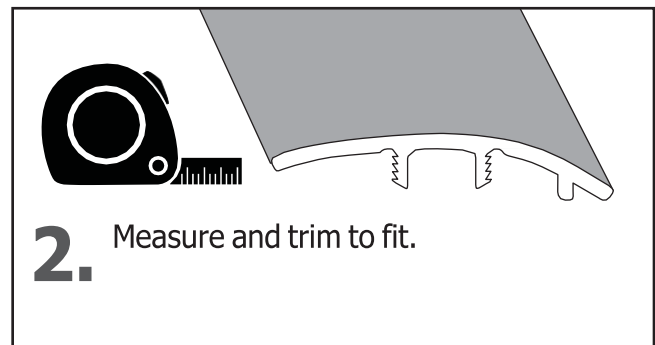
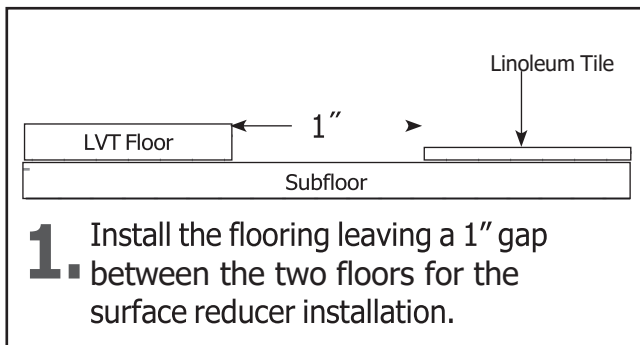
### Profile Specs

Surface reducers are used to fill the gap between two floors of unequal heights.



**Surface:** Wear resistant | **Core Material:** Rigid PVC

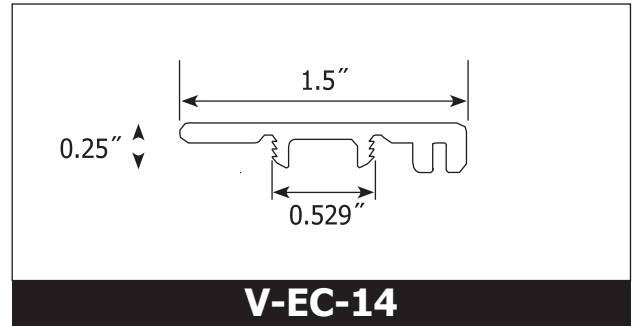
### Installation Guide



### Profile Specs

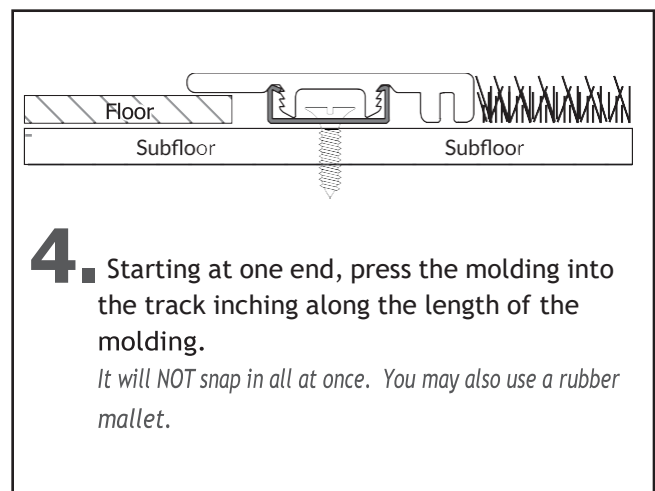
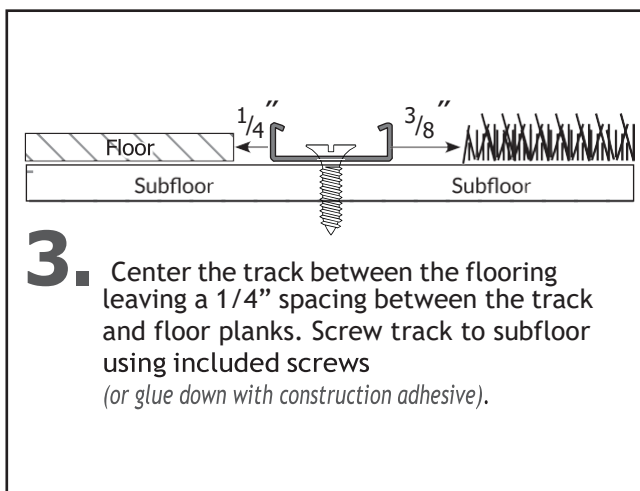
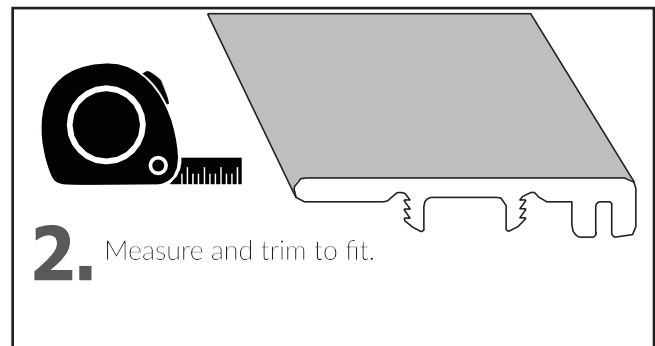
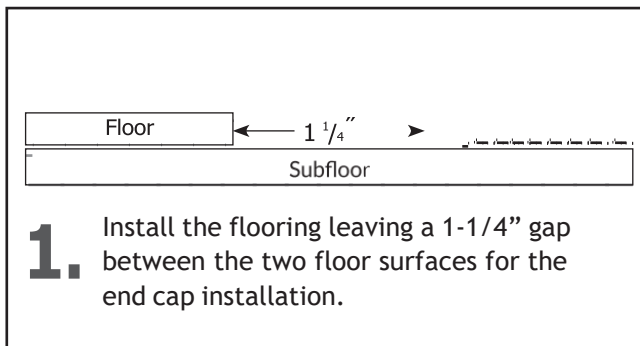
Used to fill the gap between the floor and carpet, hearths or against sliding doors.

Used with floors ranging from 2-6mm height.



**Surface:** Wear resistant | **Core Material:** Rigid PVC

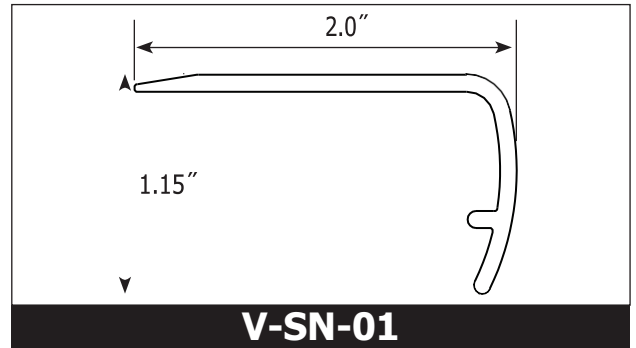
### Installation Guide



### LVT STAIR NOSE

### Profile Specs

Stair noses are used to finish the end of a step.



**Surface Laminate:** Wear resistant laminate | **Core Material:** Rigid PVC

### Installation Guide

**1.** Measure the width of the step and cut to length.

**2.** Apply a generous bead of construction adhesive along the underside of the stair nose.

**3.** Carefully roll the stair nose into place against the front of the step, making sure the transition is in place. Once the transition is in its desired position, press down firmly over the entire stair nose.

Let the adhesive cure according to directions.

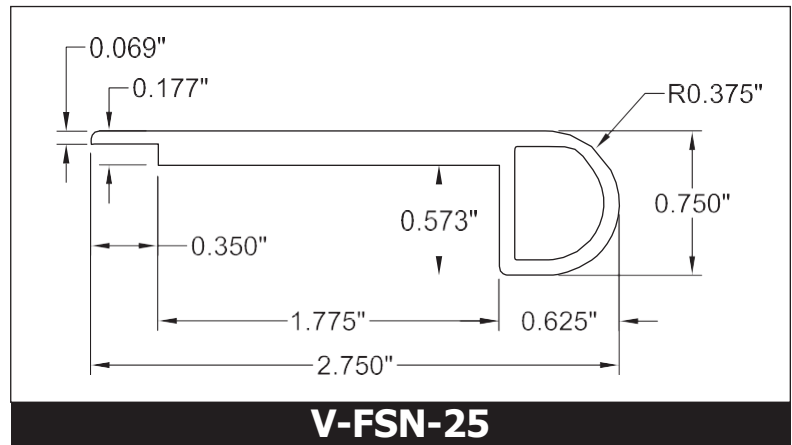
**4.** For added security, use finishing nails.

### Profile Specs

Stair noses are used to finish the end of a step.

\* Used as an overlap stair nose.

\*\* Use supplied shim for thicker floor installations



### Installation Guide

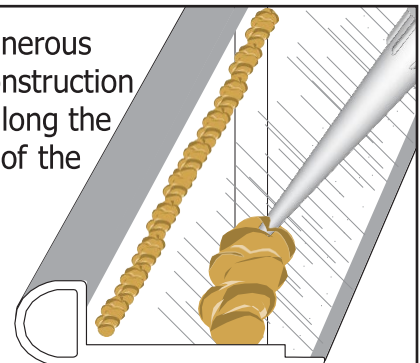
**1.**

Measure the width of the step and cut to length.



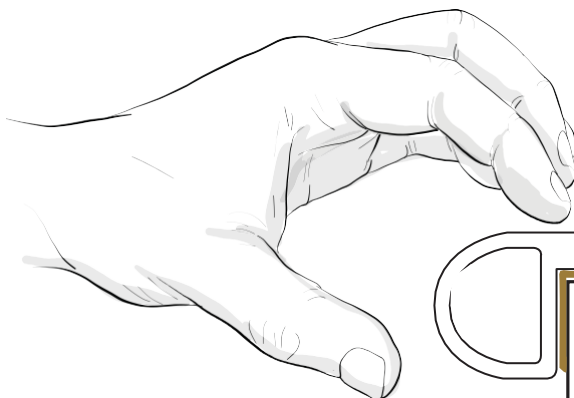
**2.**

Apply a generous bead of construction adhesive along the underside of the stair nose.



**3.**

Carefully roll the stair nose into place against the front of the step, making sure the transition is in place. Once the transition is in its desired position, press down firmly over the entire stair nose, making certain the transition is in place and tight against the riser. For added security, use finishing nails.



Let the adhesive cure according to directions.

Riser →

Subfloor

↓  
Flooring