

# ENGINEERED WOOD MAINTENANCE INSTRUCTIONS

## INTRODUCTION

These instructions are written as a guide to be used for the proper care and maintenance of Tarkett products. Utilizing these guidelines with the cleaning products listed below will ease the maintenance process and provide the customer with a product that will perform to its intended purpose. Always visit [www.tarkett.com](http://www.tarkett.com) for the most current installation and maintenance instructions. Technical videos and tip sheets are also available. Contact Tarkett Technical Services at (800)-899-8916 with any questions.

## POST INSTALLATION / INITIAL CLEANING

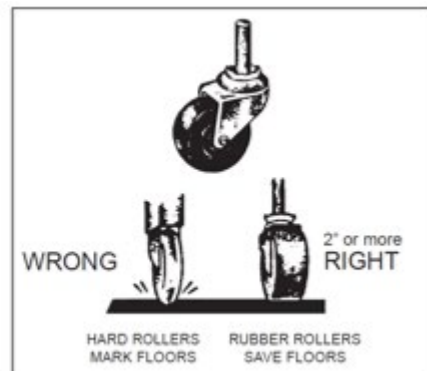
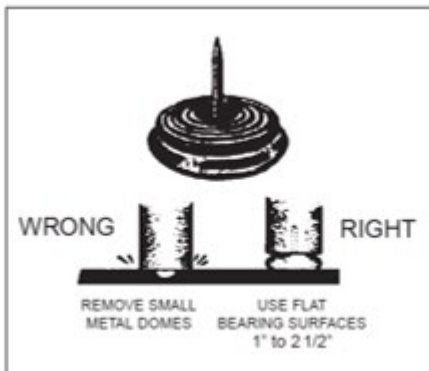
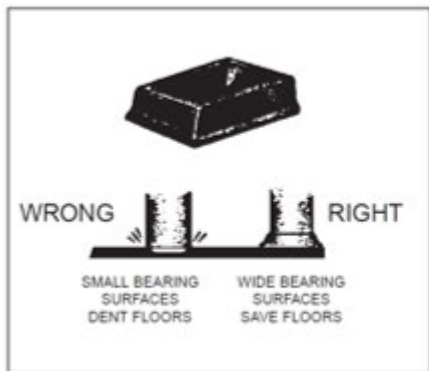
We recommend that the installation of new flooring material not be performed until all the other trades have completed their work. Proper precautions must be taken during and after the installation process to avoid damage to the newly installed flooring.

### After installation:

- **FOR GLUE DOWN INSTALLATIONS:** Protect the flooring from light foot traffic for a minimum of 6 hours, and furniture placement for a minimum of 12 hours.
- Remove any scraps and waste from the installation to prevent scratching or damage to the flooring.
- If further construction will be performed in the area where the new flooring has been installed, apply floor protection suitable for construction foot traffic such as: undyed, heavy Kraft paper, Ram Board, 1/8" Masonite panels, or similar product designed for floor protection. **NOTE: Do not use plastic or other non-porous materials to protect the newly installed flooring that could prevent any adhesive from drying properly.**
- Flooring must be swept or vacuumed (without a beater bar) to remove loose dirt and grit prior to the application of proper floor protection. (Do not trap dirt and grit under floor protection.) Lightly damp mop if necessary.

### Special Notes for All Installations:

- Maintain post-installation temperature at 60°-80°F (15.5°-26.7°C) and relative humidity between 35-55%.
- **NEVER use a rotating beater bar when vacuuming.** Vacuums must have a brush or felt head. Always ensure wheels of the vacuum are kept free of dirt and debris that can damage the finish of the flooring.
- **NEVER use steam mops, wet-mopping, or flood the floor with water or cleaning products.** Wood products are highly susceptible to moisture absorption. Moisture intrusion can cause swelling and damage to the planks.
- **NEVER apply wax, polish, or floor finish.** Tarkett Home Engineered Wood engineered wood does not require any additional floor finish and the application of these products may damage the floor.
- **Furniture & Appliance Moving:** When moving heavy furniture or appliances, do not slide directly over the floor. Use 1/4" thick Masonite board or equivalent on the floor and an approved furniture or appliance dolly to move large items across the flooring.
- **Pet Nails:** Keep pet nails trimmed to prevent damage to the engineered wood. The use of walk off mats at all exterior entrance points can prevent the tracking of dirt, debris, grease, oil, or other contaminants that can damage the flooring.
- **Floor Protectors:** Make sure furniture and appliances are equipped with proper, non-staining glides or casters that have a minimum bearing surface in contact with the flooring of 1" square. **DO NOT** use Felt floor protectors as these will wear down over time and can trap grit that may scratch the floor. Smooth polished metal or flat, non-staining plastic are examples of acceptable floor protectors. Casters should have a single, wide wheel that does not have sharp edges. **NOTE: All floor protectors should be inspected frequently, and if worn or damaged, should be replaced as needed.**



- Chair Pads:
  - Use chair pads approved for use on hardwood under any repetitive caster action (such as desk chairs, roller carts, etc.)
- Traffic:
  - Avoid walking on Tarkett flooring in narrow, high-heeled shoes or in showed with spikes or cleats. These types of shoes can cause permanent damage to the flooring.
  - The use of area rugs in high traffic areas or pivot points (such as stair landings, room entries, etc.) can protect these areas from excessive damage.
  - Use non-staining, latex-backed mats at entryways to limit tracking debris onto the flooring as this type of grit can scratch floors.  
**CAUTION: Discoloration can occur from rubber backings and dyes used in floor mats and rugs. Always refer to the rug manufacturer to determine if it is safe for use with engineered wood flooring. Floor paints and driveway sealers can also permanently discolor the floor.**
- Rug Gripper Mats / Pads:
  - Use natural, undyed rubber mats or pads underneath rugs. Check with the manufacturer to ensure that these products are safe for use with engineered wood flooring.
  - Ensure the rug mat or pad extends all the way to all edges of the rug placed on top.
  - Regularly clean underneath rugs and rug mats or pads to prevent dirt or debris from being trapped beneath.
- Cleaning products:
  - Tarkett Multi-Surface® Flooring Cleaner is a recommended cleaner. Should you choose to use alternate cleaners, choose maintenance and floor care products that indicate they are approved for use with hardwood flooring.
  - **DO NOT** use oil soaps, liquid or paste wax products, or other household cleaners containing lemon oil, tung oil, silicon, or ammonia. The Limited Warranty for Tarkett Home Engineered Wood does not cover damage caused by use of non-recommended maintenance products.
- Sunlight Exposure: UV light can accelerate the oxidation and aging of wood, which will result in color change in wood products. Repeated exposure to direct sunlight may cause fading or discoloration. It may be beneficial to rotate rugs and furniture in areas exposed to sunlight so that the wood ages evenly. The use of drapes or blinds during peak sunlight hours is recommended.
- Heat Exposure: Keep refrigerator exhaust ducts and heating system air ducts free of dust build up to reduce heat accumulation in those areas that can discolor or damage flooring. Forced-air heating system dampers should be adjusted to control outlet temperature to a maximum of 100°F (37.8°C).

## ROUTINE MAINTENANCE

- Daily Care:
  - Sweep or vacuum (without a beater bar) regularly to remove dirt and grit that may abrade or scratch the flooring.
  - Wipe up spills promptly and thoroughly with a damp cloth or microfiber mop.
  - Clean the floor with the chosen hardwood-approved floor cleaner. **DO NOT** flood the floor. Follow the instructions on the cleaning product label for application procedure. **DO NOT use dishwashing liquid, oil soaps, liquid or paste wax products, or other household cleaners that contain lemon oil, tung oil, or ammonia as this can damage the flooring.**
- Touch-Up Kits: Wood flooring can scratch or dent from normal household traffic. Many products are available on the market for touch-up repairs on wood flooring. These products are not manufactured by Tarkett but may be effective in reducing the appearance of minor scratches or stains. Follow manufacturer’s instructions for proper use of these products.

## CLEANING PRODUCTS

PRODUCT	AVAILABILITY	FREQUENCY	DILUTION	APPLICATION	NOTES
Tarkett Home Multi-Surface® Cleaner	Through your Tarkett Retailer or Online	As Needed for daily/routine care	<u>Spot Cleaning:</u> Lightly spray full strength Tarkett Home Multi-Surface Flooring Cleaner onto contaminated area and wipe clean with a damp cloth.	Clean, white cloth	
			<u>Daily Cleaning:</u> Add to 1 gal. water <b>Everyday Cleaning:</b> 1 -2 oz <b>Heavily Soiled Floors:</b> 8-10 oz.	Microfiber Mop	<ul style="list-style-type: none"> <li>• For Everyday Cleaning, allow diluted cleaner to air dry.</li> <li>• For Heavily Soiled floors, rinse the solution with clean water after application. <b>DO NOT SATURATE THE FLOOR.</b></li> </ul>

### Tarkett North America

Technical Services Department  
 30000 Aurora Road  
 Solon, OH 44139  
 800.899.8916  
[resilient.technicalsupport@tarkett.com](mailto:resilient.technicalsupport@tarkett.com)

[www.tarkett.com](http://www.tarkett.com)